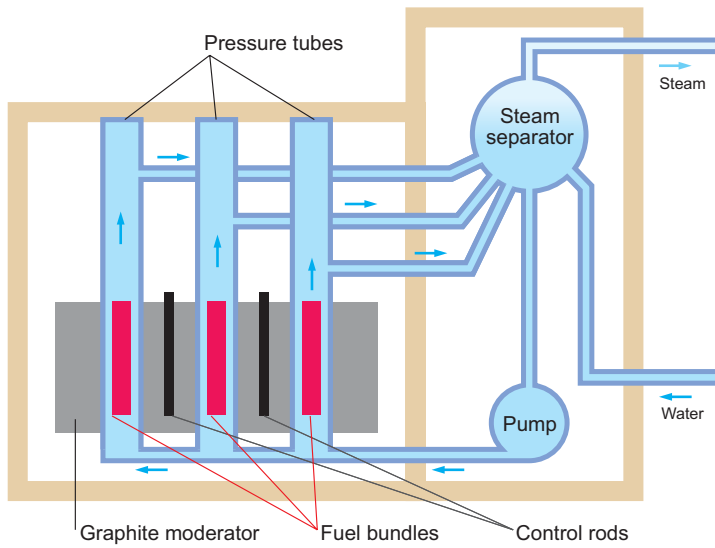


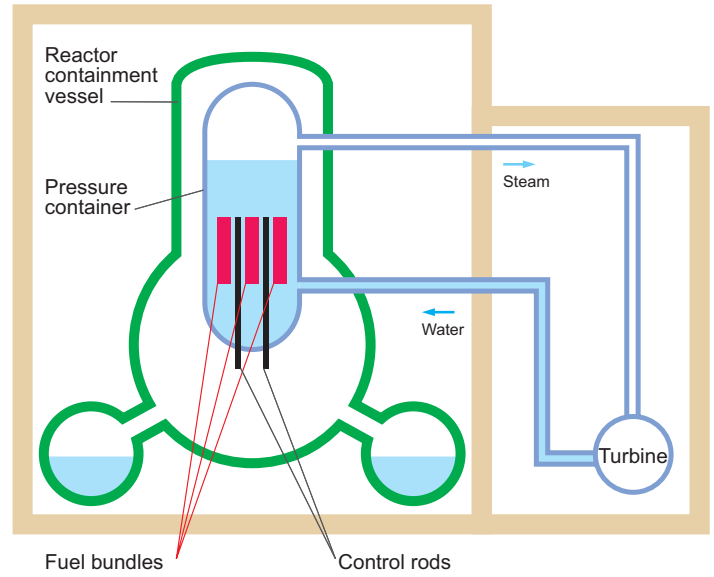
Differences between Chernobyl & Fukushima Daiichi

As of 14 April, 2011

Chernobyl: Graphite-Moderated Reactor



Fukushima Daiichi: Boiling Water Reactor



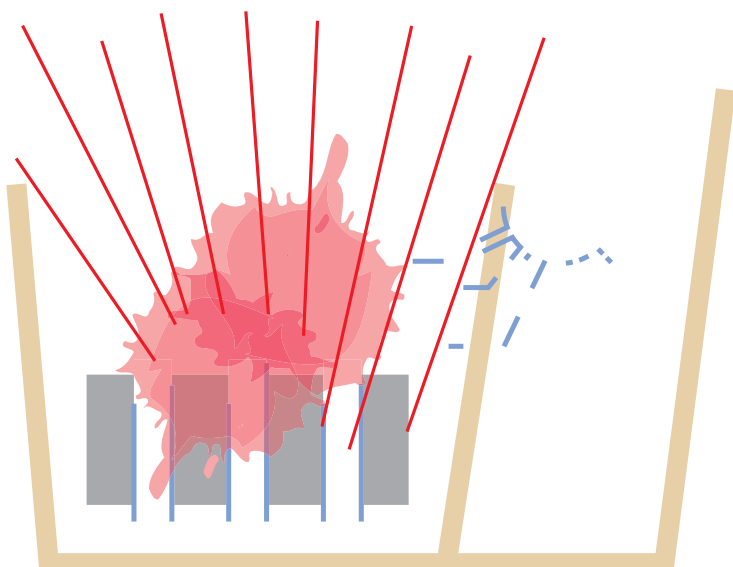
Chernobyl		Fukushima
Absent	Reactor containment vessel	Installed
Reactor exploded when it had power	Explosion	Reactor building exploded after reactor was shut down
5,200K tera Bq	Amount of Radioactive material	370K - 630K tera Bq

The IAEA's comment quoted from the below news source

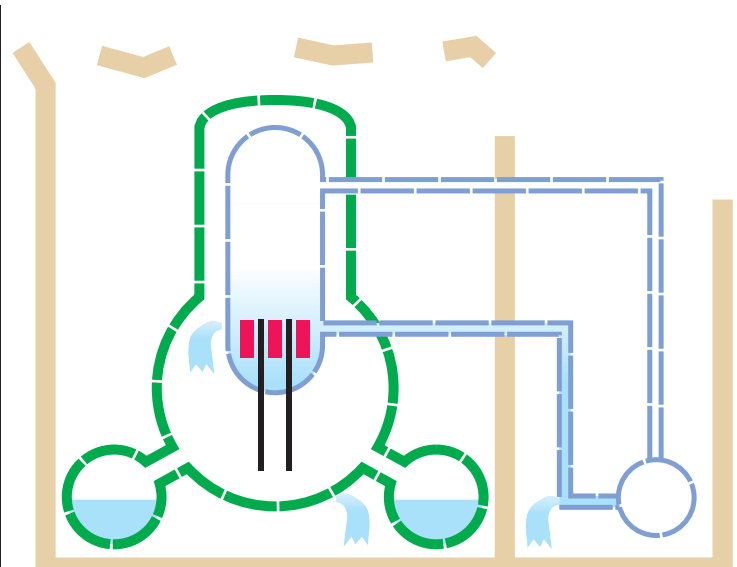
Chernobyl happened when the reactor had power, it was a huge explosion, vapor, power explosion, and then you had a huge graphite fire."

<http://www.voanews.com/english/news/asia/IAEA--FukushimaChernobyl-Accidents-Not-Comparable-Despite-Severity-119728644.html>

The IAEA's Denis Flory said the amount radiation released at Chernobyl was far higher than at Fukushima. He cited Japanese data that show the Fukushima plant has released about one-tenth of the radioactive material that was released at Chernobyl.



Imaginary figure of explosion in Chernobyl



Imaginary figure of current condition of Fukushima Daiichi plant